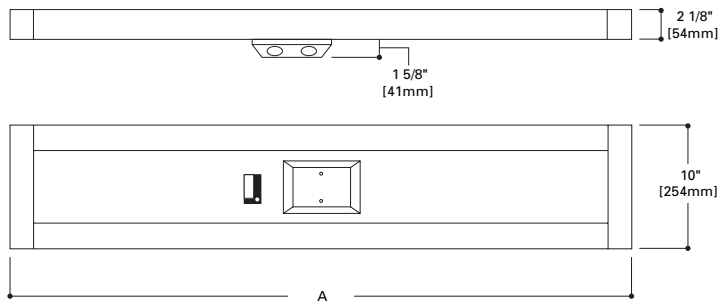


DESCRIPTION

The StairLite System is designed to satisfy all stairwell lighting requirements in one easy to install package. StairLite consists of a surface mounted, two lamp fluorescent lighting fixture that incorporates an integrally mounted ultrasonic motion detector, a system display panel, and an optional full battery backup. The StairLite System will deliver vastly reduced operating and maintenance costs due to virtually no power consumption. It will enhance the usefulness, safety, and reliability of any emergency lighting system. The StairLite System is designed for use in stairwells or any other area of a building where the occupancy level or usage factor would be considered minimal.

DIMENSIONS



| Lamp | Dimension "A" |
|--------|---------------|
| FO17T8 | 27" (686mm) |
| FO25T8 | 39" (991mm) |
| FO32T8 | 51" (1295mm) |



STL STAIRLITE

Stairwell Lighting System

EMERGENCY LIGHT

- Choice of Input Voltage, 120 or 277 VAC, 60Hz
- Formed 20 gauge steel housing and cover plate construction
- Durable white powder coat finish
- T8 Fluorescent lamps in 17, 25 and 32 watts (Lamps not included)
- Single-lamp electronic ballast that is "0" Degree rated
- Sealed, maintenance-free nickel cadmium battery
- Fully automatic, self-test ultrasonic motion detector
- Solid-state Status Indicator Display System with an AC power indicator
- Fully automatic emergency charger is solid-state-no mechanical relay
- Variety of electrical and mounting knockouts for a easy installation
- Tamper-proof Spanner Head Screws, Standard
- UL 924, Life Safety NFPA 101, NEC/OSHA, most state and local codes

ORDERING INFORMATION

SAMPLE NUMBER: STL42F17

STL

Family
STL=StairLite

Operation
4=AC Only
54=Emergency
450 Lumens
57=Emergency
700 Lumens
59=Emergency
950 Lumens

Lamp
2F17=(2) FO17T8
(2' lamps)
2F25=(2) FO25T8
(3' lamps)
2F32=(2) FO32T8
(4' lamps)

Voltage
Blank=120 VAC
7=277 VAC

Accessories (Order Separately)
VRSPD=#6 Spanner
Screw Driver

Energy Data

| | Input Power; | | Input Current (Max.): | | Power Factor: | |
|------------|--------------|------|-----------------------|------|---------------|------|
| | 120V | 277V | 120V | 277V | 120V | 277V |
| (2) 17W T8 | 31W | 31W | .29A | .13A | .8 | .8 |
| (2) 25W T8 | 42W | 42W | .36A | .16A | .8 | .8 |
| (2) 32W T8 | 52W | 52W | .44A | .19A | .9 | .9 |
| Lamps Off | 4.3W | 4.3W | .04A | .02A | .7 | .7 |